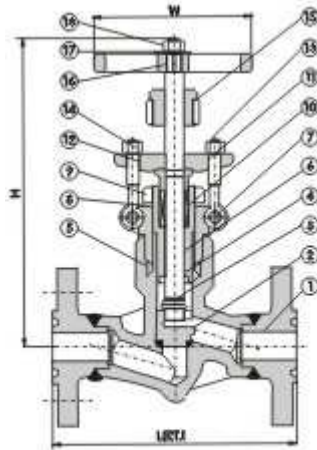




FLANGED END PRESSURE-SEAL GLOBE VALVE 900LB~2500LB



Eg. FIG. PL9C1Y

Features:

Flanged End Pressure-seal Globe Valve 900Lb~2500Lb

Standard Material Specifications

NO.	Part Name	CS to ASTM	AS to ASTM	SS to ASTM	
		Type A105	Type A182 F22	Type F34(L)	Type F316(L)
1	Body	A105	A182 F22	A182 F304(L)	A182 F316(L)
2	Disc	A276 420	A276 304	A276 304(L)	A276 316(L)
3	Stem	A182 F6	A182 f304	A182 F304(L)	A182 F316(L)
4	Pressure Seat	A105	A182 F304	A182 F304(L)	A182 F316(L)
5	Pressure Ring	A182 F304(L)			F316L
6	Bonnet	A105	A182 F22	A182 F304(L)	A182 F316(L)
7	Pin	A276 420		A276 304	
8	P.S.Washer	A105	A182 F22	A182 F304(L)	A182 F316(L)
9	P.S.Lock Nut	A194 2H	A194 4	A194 8	A194 8M
10	Stem Packing	Flexible Graphite		PTFE	
11	Gland	A276 420		A182 F304	
12	Gland Flange	A216 WCB		A351 CF8	
13	Gland Eyebolt	A193 B7	A193 B16	A193 B8	A193 B8M
14	Gland Nut	A194 2H	A194 4	A194 8	A194 8M



15	Yoke Nut	A276 410			
16	Handwheel	A197			
17	Nameplate	SS			
18	H.W.Nut	A194 2H	A194 4	A194 8	A194 8M
Suitable Medium		W.O.G.etc	W.O.G.etc	HNO3,CH3OOH etc	
Suitable Temperature		-29~425	-29~550	-29~180	

Note: Other materials are available upon request.

Dimensions (mm) and Weights (Kg)

NPS		1/2"	3/4"	1"	1-1/4"	1-1/2"	2"
L(RTJ)	900Lb 1500Lb	216	229	254	279	305	368
	2500Lb	264	273	308	349	384	451
H(OPEN)	900Lb 1500Lb	318	318	318	398	408	524
	2500Lb	333	333	333	410	420	524
W		160	160	180	200	250	280
Weights	900Lb 1500Lb	15.5	16.9	18.9	28.9	34.3	52.8
	2500Lb	18.0	20.5	23.0	36.1	45.0	81.5