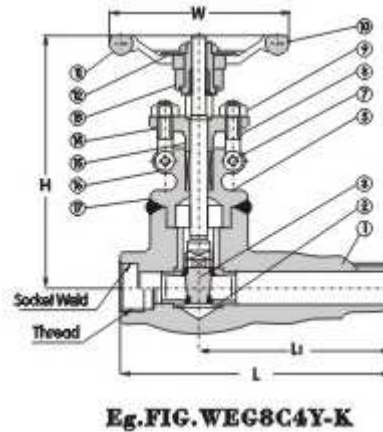
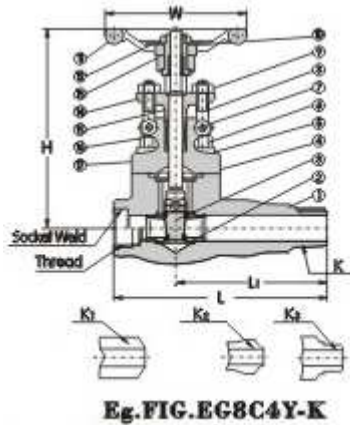




EXTENDED BODY GATE VALVE 800LB



Features:

Extended Body Gate Valve 800Lb

The Specific Connection Code

Connection Code	K	K1	K2	K3
	Screwed Weld	Inclined End	A Full Strength End	Socket Weld End

Standard Material Specifications

NO.	Part Name	CS to ASTM	AS to ASTM	SS to ASTM	
		Type A105	Type F22	Type F304(L)	Type F316(L)
1	Body	A105	A182 F22	A182 F304(L)	A182 F316(L)
2	Seat Ring	A276 420	A276 304	A276 304(L)	A276 316(L)
3	Wedge	A276 410 & 403	A182 F304	A182 F304(L)	A182 F316(L)
4	Gasket	Corrugated SS + graphite		SS + PTFE	
5	Stem	A182 F6	A182 F304	A182 F304(L)	A182 F316(L)
6	Bonnet Bolt	A193 B7	A193 B16	A193 B8	A193 B8M
7	Pin	A276 420		A276 304	
8	Gland Eyebolt	A193 B7	A193 B16	A193 B8	A193 B8M
9	Gland Nut	A194 2H	A194 4	A194 8	A194 8M



10	Nameplate	SS			
11	Handwheel	A197			
12	H.W.Lock Nut	A194 2H	A194 4	A194 8	A194 8M
13	Yoke Nut	A276 420			
14	Gland Flange	A105	A182 F11	A182 F304(L)	A182 F316(L)
15	Gland	A276 410		A182 F304(L)	A182 F316(L)
16	Stem Packing	Flexible Graphite		PTFE	
17	Bonnet	A105	A182 F22	A182 F304(L)	A182 F316(L)
Suitable Medium		W.O.G.etc	W.O.G.etc	HNO ₃ CH ₃ OOH etc	
Suitable Temperature		-29~425	-29~550	-29~180	

Note: Other materials are available upon request.

Dimensions (mm) and Weights (Kg)

NPS	Conv.	3/8"	1/2"	3/4"	1"	1-1/4"	1-1/2"	2"
	Full		3/8"	1/2"	3/4"	1"	1-1/4"	1-1/2"
L1		107.5	107.5	107.5	120	127	127	152
L		147	147	153.5	175.5	187	187	222
H(OPEN)		158	158	169	197	236	246	283
W		100	100	100	125	160	160	180
Weights	Bolted	3.1	2.9	3.4	5.5	7.8	8.3	13.4
	Welded	2.8	2.6	3.1	5.1	7.4	7.6	12.1