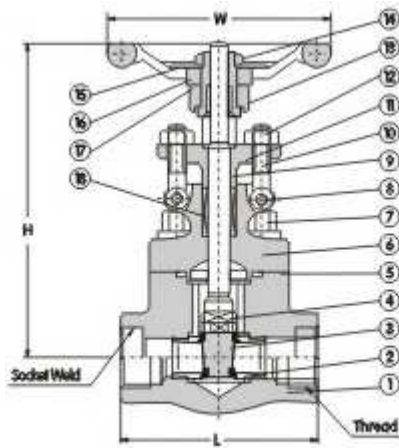
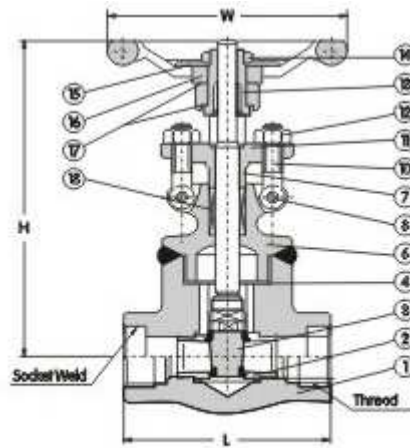




GATE VALVE 800LB



Eg.FIG.G8C1Y



Eg.FIG.WG8C1Y

Features:

Gate Valve 800Lb

Standard Material Specifications

NO.	Part Name	CS to ASTM	AS to ASTM	SS to ASTM	
		Type A105	Type F22	Type F304(L)	Type F316(L)
1	Body	A105	A182 F22	A182 F304(L)	A182 F316(L)
2	Seat Ring	A276 420	A276 304	A276 304(L)	A276 316(L)
3	Wedge	A276 430&410	A182 F304	A182 F304(L)	A182 F316(L)
4	Stem	A182 F6	A182 F304	A182 F304(L)	A182 F316(L)
5	Gasket	Corrugated SS+graphite		SS+PTFE	
6	Bonnet	A105	A182 F22	A182 F304(L)	A182 F316(L)
7	Bonnet Bolt	A193 B7	A193 B16	A193 B8	A193 B8M
8	Pin	A276 420		A182 F304	
9	Gland	A276 410		A182 F304(L)	A182 F316(L)
10	Gland Eyebolt	A193 B7	A193 B16	A193 B8	A193 B8M
11	Gland Flange	A105	A182 F11	A182 F304(L)	A182 F316(L)
12	Gland Nut	A194 2H	A194 4	A194 8	A194 8M
13	Yoke Nut	A276 420			
14	H.W.Lock Nut	A194 2H	A194 4	A194 8	A194 8M



15	Nameplate	SS		
16	Handwheel	A197		
17	Bearing Gasket	A473 431		
18	Stem Packing	Flexible Graphite	PTFE	
Suitable Medium		W.O.G.etc	W.O.G.etc	HNO3,CH2OOH etc
Suitable Temperature		-29~425	-29~550	-29~180

Note: Other materials are available upon request.

Dimensions (mm) and Weights (Kg)

NPS	Conv.	3/8"	1/2"	3/4"	1"	1-1/4"	1-1/2"	2"	
	Full		3/8"	1/2"	3/4"	1"	1-1/4"	1-1/2"	2"
L		79	79	92	111	120	120	140	178
H(OPEN)		158	158	169	197	236	246	283	330
W		100	100	100	125	160	160	180	200
Weights	Bolted	2.1	2.0	2.3	4.3	5.9	6.9	11.1	15.2
	Welded	1.8	1.7	2.0	3.8	5.1	6.1	10.2	14.2